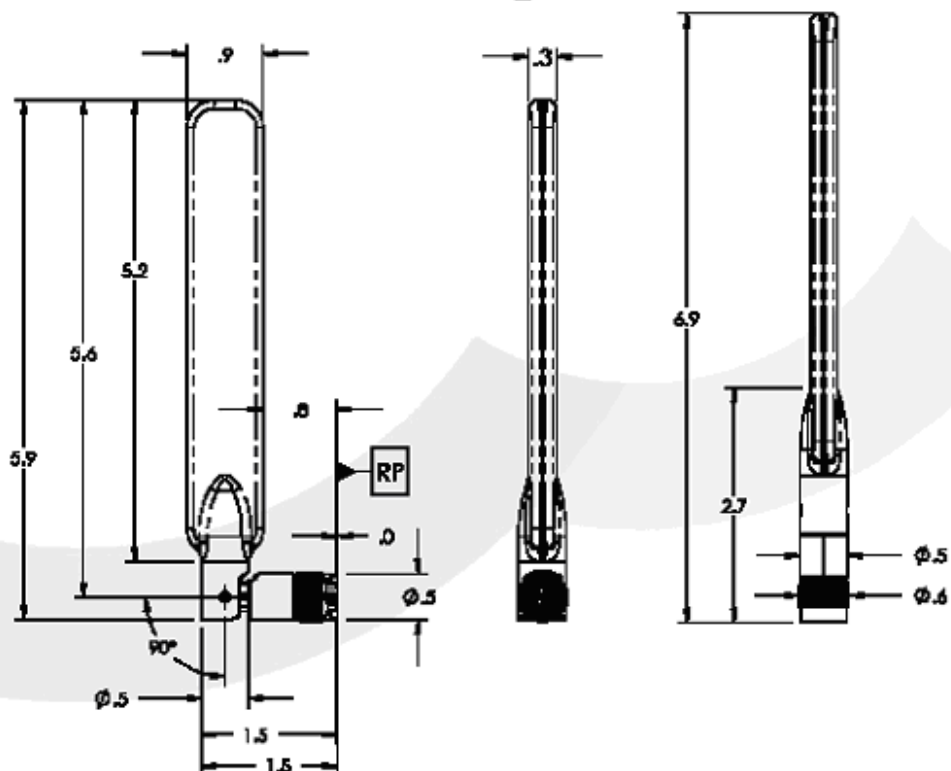


Dual Band Swivel Mount Dipole RP-TNC Blade

2.40-2.50/4.90-5.90 GHz

R380.500.314

Series : ANTENNA



All dimensions are inches

Issue : 0717

In the effort to improve our products, we reserve the right to make changes judged to be necessary.



Dual Band Swivel Mount Dipole RP-TNC Blade

2.40-2.50/4.90-5.90 GHz

R380.500.314

Series : ANTENNA

ELECTRICAL SPECIFICATIONS

Frequency :	2.40-2.50/4.90-5.90 GHz
Nominal Impedance :	50 Ω
VSWR :	2:1 Max
Gain (Radiating element) :	1.6/5.0 dBi \pm 1 dB
Radiation Pattern	
HPBW in Horizontal Plane :	360 $^{\circ}$ \pm 2 $^{\circ}$
Ripple level in Horizontal Plane :	\pm 3 dB Max
HPBW in Elevation	
Low Band :	85 $^{\circ}$
High Band :	30 $^{\circ}$
Polarization :	Linear Vertical
Connector type :	Reverse Polarity TNC
Cable type :	RG316

Dual Band Swivel Mount Dipole RP-TNC Blade

R380.500.314

2.40-2.50/4.90-5.90 GHz

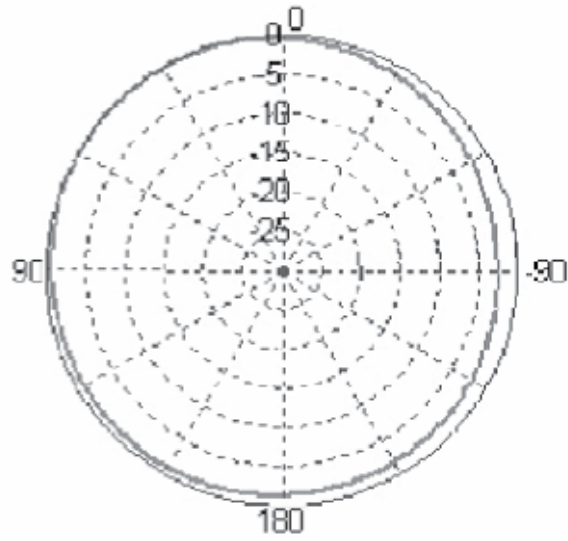
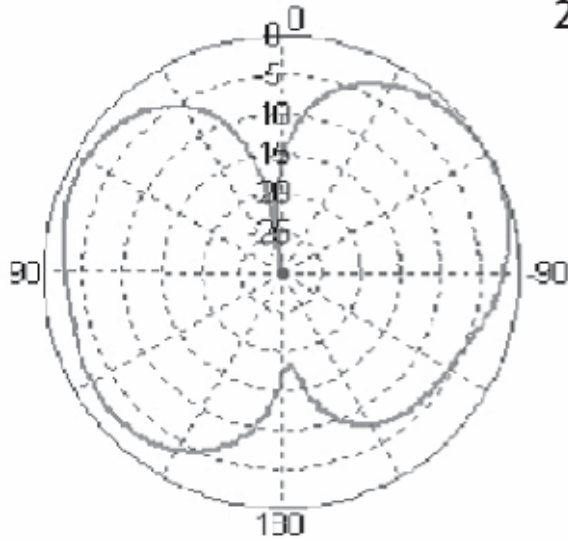
Series : ANTENNA

Pattern Data

E-PLANE

2 GHz

H-PLANE



E-PLANE

5 GHz

H-PLANE

